

## AMORTYZATORY HYDRAULICZNE SAMONASTAWIALNE SERIA STANDARD

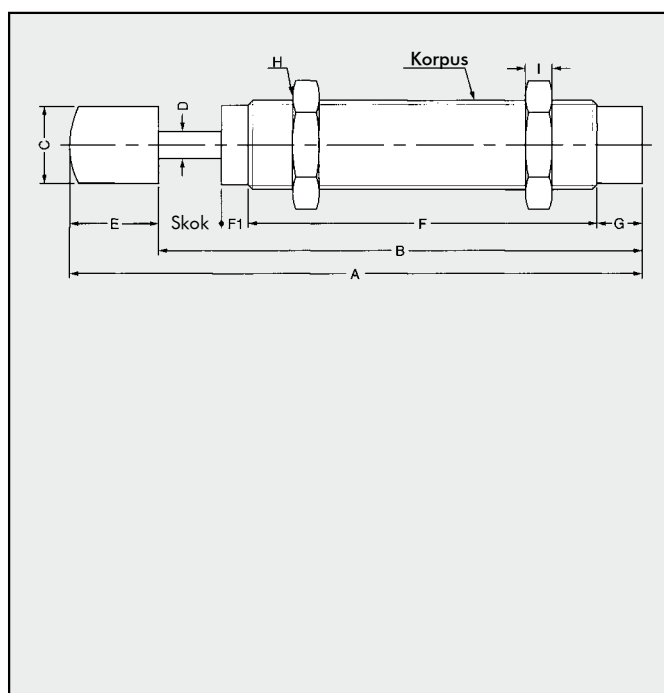


### DANE TECHNICZNE

| Indeks          | Skok (mm) | Max. Nm na cykl [Nm/c] | Max. Nm na godzinę [Nm/h] | Max. masa (Me) kg | Max. prędkość uderzenia (v) m/s | Temp. pracy (°C) | Waga (g) |
|-----------------|-----------|------------------------|---------------------------|-------------------|---------------------------------|------------------|----------|
| *Z37W0900100100 | 6         | 3                      | 7,000                     | 6                 | 0.3-2.5                         | -10 ~ +80        | 15       |
| Z37W0900100101  | 6         | 3                      | 7,000                     | 6                 | 0.3-2.5                         | -10 ~ +80        | 17       |
| *Z37W0900100102 | 7         | 6                      | 12,400                    | 12                | 0.3-3.5                         | -10 ~ +80        | 25       |
| Z37W0900100103  | 7         | 6                      | 12,400                    | 12                | 0.3-3.5                         | -10 ~ +80        | 28       |
| *Z37W0900100104 | 12        | 20                     | 33,000                    | 40                | 0.3-5.0                         | -10 ~ +80        | 65       |
| Z37W0900100105  | 12        | 20                     | 33,000                    | 40                | 0.3-5.0                         | -10 ~ +80        | 70       |
| *Z37W0900100106 | 15        | 59                     | 38,000                    | 120               | 0.3-5.0                         | -10 ~ +80        | 150      |
| Z37W0900100107  | 15        | 59                     | 38,000                    | 120               | 0.3-5.0                         | -10 ~ +80        | 160      |
| *Z37W0900100108 | 25        | 147                    | 72,000                    | 270               | 0.3-5.0                         | -10 ~ +80        | 360      |
| Z37W0900100109  | 25        | 147                    | 72,000                    | 270               | 0.3-5.0                         | -10 ~ +80        | 375      |
| *bez kołpaka    |           |                        |                           |                   |                                 |                  |          |

### WYMIARY

| Indeks         | Korpus   | Skok (mm) | A     | B    | C    | D   | E    | F    | G  | H    | I  |
|----------------|----------|-----------|-------|------|------|-----|------|------|----|------|----|
| Z37W0900100100 | M 8x1.0  | 6         | -     | 46.6 | -    | 2.8 | -    | 35.6 | 5  | 11   | 3  |
| Z37W0900100101 | M 8x1.0  | 6         | 55.1  | -    | 6.6  | 2.8 | 8.5  | 35.6 | 5  | 11   | 3  |
| Z37W0900100102 | M 10x1.0 | 7         | -     | 54   | -    | 3   | -    | 42   | 5  | 12.7 | 3  |
| Z37W0900100103 | M 10x1.0 | 7         | 64    | -    | 8.6  | 3   | 10   | 42   | 5  | 12.7 | 3  |
| Z37W0900100104 | M 14x1.5 | 12        | -     | 79   | -    | 5   | -    | 62   | 5  | 19   | 6  |
| Z37W0900100105 | M 14x1.5 | 12        | 92.5  | -    | 12.2 | 5   | 13.5 | 62   | 5  | 19   | 6  |
| Z37W0900100106 | M 20x1.5 | 15        | -     | 88   | -    | 6   | -    | 66   | 7  | 26   | 8  |
| Z37W0900100107 | M 20x1.5 | 15        | 105   | -    | 18   | 6   | 17   | 66   | 7  | 26   | 8  |
| Z37W0900100108 | M 27x1.5 | 25        | -     | 136  | -    | 8   | -    | 101  | 10 | 32   | 10 |
| Z37W0900100109 | M 27x1.5 | 25        | 155.5 | -    | 22   | 8   | 19.5 | 101  | 10 | 32   | 10 |



# AMORTYZATORY HYDRAULICZNE NASTAWIALNE SERIA STANDARD

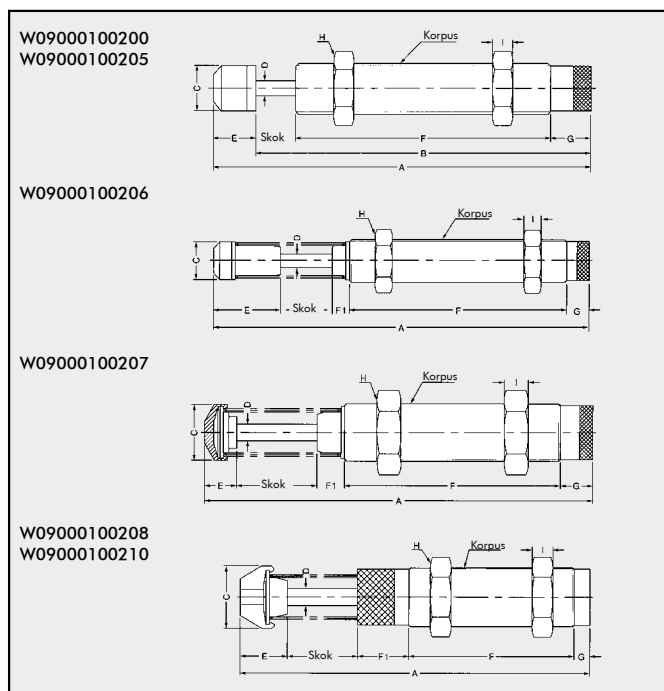


## DANE TECHNICZNE

| Indeks          | Skok (mm) | Max. Nm na cykl [Nm/c] | Max. Nm na godzinę [Nm/h] | Max. masa (Me) kg | Max. prędkość uderzenia (v) m/s | Temp. pracy (°C) | Waga (g) |
|-----------------|-----------|------------------------|---------------------------|-------------------|---------------------------------|------------------|----------|
| *Z37W0900100200 | 10        | 20                     | 25,000                    | 80                | 3.0                             | -10 ~ +80        | 84       |
| Z37W0900100201  | 10        | 20                     | 25,000                    | 80                | 3.0                             | -10 ~ +80        | 90       |
| *Z37W0900100202 | 16        | 25                     | 30,000                    | 200               | 3.5                             | -10 ~ +80        | 222      |
| Z37W0900100203  | 16        | 25                     | 30,000                    | 200               | 3.5                             | -10 ~ +80        | 230      |
| *Z37W0900100204 | 25        | 85                     | 54,000                    | 400               | 3.5                             | -10 ~ +80        | 335      |
| Z37W0900100205  | 25        | 85                     | 54,000                    | 400               | 3.5                             | -10 ~ +80        | 350      |
| Z37W0900100206  | 40        | 100                    | 80,000                    | 700               | 3.5                             | -10 ~ +80        | 455      |
| Z37W0900100207  | 50        | 300                    | 100,000                   | 1,400             | 3.0                             | -10 ~ +80        | 1,100    |
| Z37W0900100208  | 25        | 260                    | 125,000                   | 3,000             | 3.5                             | -10 ~ +80        | 1,280    |
| Z37W0900100209  | 50        | 500                    | 150,000                   | 4,000             | 4.5                             | -10 ~ +80        | 1,490    |
| Z37W0900100210  | 75        | 750                    | 180,000                   | 6,000             | 4.5                             | -10 ~ +80        | 1,710    |
| *bez kołpaka    |           |                        |                           |                   |                                 |                  |          |

## WYMIARY

| Indeks         | Korpus   | Skok (mm) | A     | B     | C    | D  | E    | F     | G    | H  | I  |
|----------------|----------|-----------|-------|-------|------|----|------|-------|------|----|----|
| Z37W0900100200 | M 14x1.5 | 10        | -     | 98.5  | -    | 4  | -    | 72.5  | 16   | 19 | 6  |
| Z37W0900100201 | M 14x1.5 | 10        | 109.2 | -     | 12   | 4  | 10.7 | 72.5  | 16   | 19 | 6  |
| Z37W0900100202 | M 20x1.5 | 16        | -     | 133   | -    | 6  | -    | 101   | 16   | 26 | 8  |
| Z37W0900100203 | M 20x1.5 | 16        | 149.8 | -     | 18   | 6  | 16.8 | 101   | 16   | 26 | 8  |
| Z37W0900100204 | M 25x1.5 | 25        | -     | 143.5 | -    | 8  | -    | 101   | 17.5 | 32 | 10 |
| Z37W0900100205 | M 25x1.5 | 25        | 163   | -     | 22   | 8  | 19.5 | 101   | 17.5 | 32 | 10 |
| Z37W0900100206 | M 25x1.5 | 40        | 223.8 | -     | 22   | 8  | 39.3 | 127   | 17.5 | 32 | 10 |
| Z37W0900100207 | M 36x1.5 | 50        | 240.8 | -     | 35   | 10 | 19.8 | 134   | 20   | 46 | 15 |
| Z37W0900100208 | M 42x1.5 | 25        | 186.4 | -     | 44.5 | 12 | 33.9 | 88    | 11   | 50 | 15 |
| Z37W0900100209 | M 42x1.5 | 50        | 240.9 | -     | 44.5 | 12 | 33.9 | 117.5 | 11   | 50 | 15 |
| Z37W0900100210 | M 42x1.5 | 75        | 301.4 | -     | 44.5 | 12 | 33.9 | 148   | 11   | 50 | 15 |



## AMORTYZATORY HYDRAULICZNE SAMONASTAWIALNE SERIA WZMOCNIONA

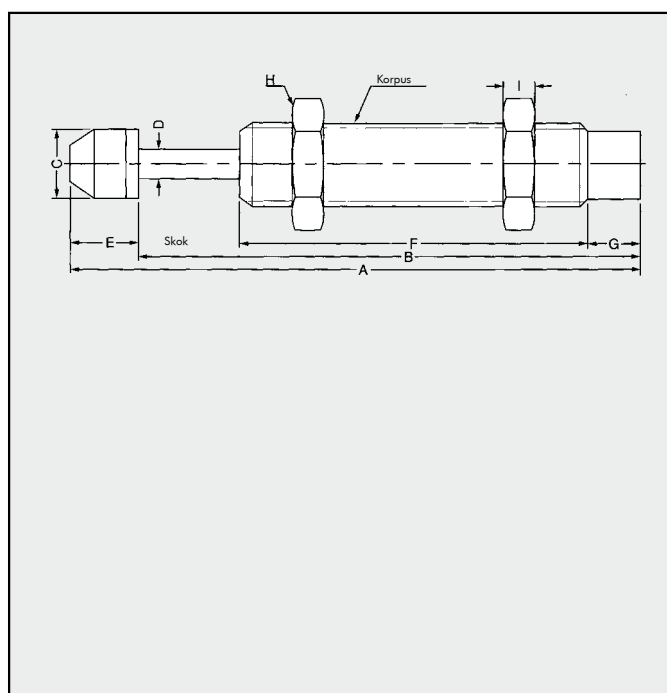


### DANE TECHNICZNE

| Indeks         | Skok (mm) | Max. Nm na cykl [Nm/c] | Max. Nm na godzinę [Nm/h] | Max. masa (Me) kg | Max. prędkość uderzenia (v) m/s | Temp. pracy (°C) | Waga (g) |
|----------------|-----------|------------------------|---------------------------|-------------------|---------------------------------|------------------|----------|
| Z37W0900100300 | 6         | 2                      | 8,800                     | 0.5               | 2.0                             | -10 ~ +80        | 11       |
| Z37W0900100301 | 6         | 2                      | 8,800                     | 2.0               | 1.0                             | -10 ~ +80        | 11       |
| Z37W0900100302 | 6         | 2                      | 8,800                     | 6.0               | 0.5                             | -10 ~ +80        | 11       |
| Z37W0900100310 | 5         | 3                      | 10,800                    | 1                 | 3.0                             | -10 ~ +80        | 14       |
| Z37W0900100311 | 5         | 3                      | 10,800                    | 3                 | 1.5                             | -10 ~ +80        | 14       |
| Z37W0900100312 | 5         | 3                      | 10,800                    | 7                 | 0.8                             | -10 ~ +80        | 14       |
| Z37W0900100320 | 8         | 4                      | 15,200                    | 2                 | 3.0                             | -10 ~ +80        | 20       |
| Z37W0900100321 | 8         | 4                      | 15,200                    | 4                 | 1.5                             | -10 ~ +80        | 20       |
| Z37W0900100322 | 8         | 4                      | 15,200                    | 9                 | 0.8                             | -10 ~ +80        | 20       |
| Z37W0900100330 | 10        | 5                      | 17,640                    | 5                 | 3.0                             | -10 ~ +80        | 31.5     |
| Z37W0900100331 | 10        | 5                      | 17,640                    | 10                | 1.5                             | -10 ~ +80        | 31.5     |
| Z37W0900100332 | 10        | 5                      | 17,640                    | 30                | 0.8                             | -10 ~ +80        | 31.5     |

### WYMIARY

| Indeks         | Korpus   | Skok (mm) | A    | B    | C    | D   | E   | F    | G   | H    | I |
|----------------|----------|-----------|------|------|------|-----|-----|------|-----|------|---|
| Z37W0900100300 | M 8x1.0  | 6         | 52.4 | 44   | 6.6  | 2.8 | 8.4 | 33   | 5   | 11   | 3 |
| Z37W0900100301 | M 8x1.0  | 6         | 52.4 | 44   | 6.6  | 2.8 | 8.4 | 33   | 5   | 11   | 3 |
| Z37W0900100302 | M 8x1.0  | 6         | 52.4 | 44   | 6.6  | 2.8 | 8.4 | 33   | 5   | 11   | 3 |
| Z37W0900100310 | M 10x1.0 | 5         | 38.5 | 27.7 | 8.6  | 2.8 | 6   | 22.9 | 4.8 | 12.7 | 3 |
| Z37W0900100311 | M 10x1.0 | 5         | 41.2 | 32.7 | 8.6  | 3   | 8.5 | 22.9 | 4.8 | 12.7 | 3 |
| Z37W0900100312 | M 10x1.0 | 5         | 41.2 | 32.7 | 8.6  | 3   | 8.5 | 22.9 | 4.8 | 12.7 | 3 |
| Z37W0900100320 | M 10x1.0 | 8         | 59.5 | 51   | 8.6  | 3   | 8.5 | 38   | 5   | 12.7 | 3 |
| Z37W0900100321 | M 10x1.0 | 8         | 59.5 | 51   | 8.6  | 3   | 8.5 | 38   | 5   | 12.7 | 3 |
| Z37W0900100322 | M 10x1.0 | 8         | 59.5 | 51   | 8.6  | 3   | 8.5 | 38   | 5   | 12.7 | 3 |
| Z37W0900100330 | M 12x1.0 | 10        | 69.5 | 50   | 10.3 | 3   | 9.5 | 45.5 | 4.5 | 14   | 4 |
| Z37W0900100331 | M 12x1.0 | 10        | 69.5 | 50   | 10.3 | 3   | 9.5 | 45.5 | 4.5 | 14   | 4 |
| Z37W0900100332 | M 12x1.0 | 10        | 69.5 | 50   | 10.3 | 3   | 9.5 | 45.5 | 4.5 | 14   | 4 |



## AMORTYZATORY HYDRAULICZNE SAMONASTAWIALNE SERIA WZMOCNIONA

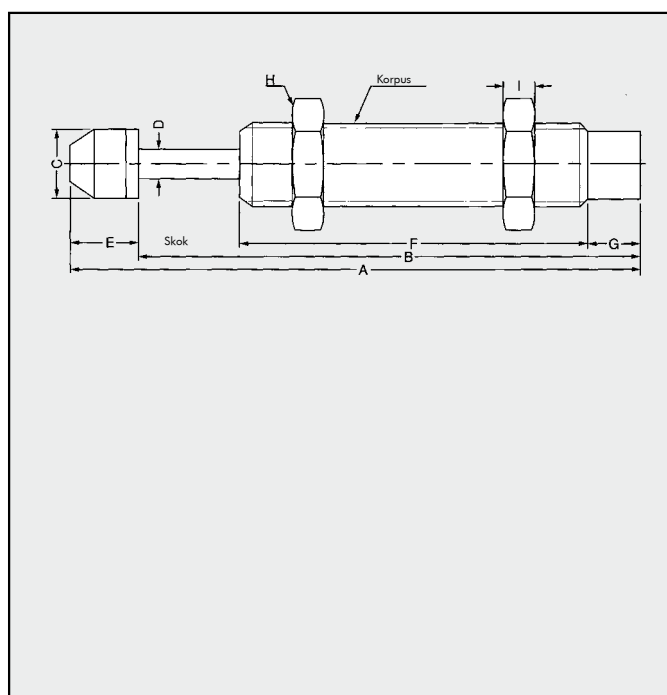


### DANE TECHNICZNE

| Indeks         | Skok (mm) | Max. Nm na cykl [Nm/c] | Max. Nm na godzinę [Nm/h] | Max. masa (Me) kg | Max. prędkość uderzenia (v) m/s | Temp. pracy (°C) | Waga (g) |
|----------------|-----------|------------------------|---------------------------|-------------------|---------------------------------|------------------|----------|
| Z37W0900100340 | 12        | 15                     | 30,000                    | 8                 | 3.0                             | -10 ~ +80        | 80       |
| Z37W0900100341 | 12        | 15                     | 30,000                    | 50                | 1.5                             | -10 ~ +80        | 80       |
| Z37W0900100342 | 12        | 15                     | 30,000                    | 100               | 0.8                             | -10 ~ +80        | 80       |
| Z37W0900100350 | 16        | 20                     | 35,000                    | 10                | 3.0                             | -10 ~ +80        | 90       |
| Z37W0900100351 | 16        | 20                     | 35,000                    | 70                | 1.5                             | -10 ~ +80        | 90       |
| Z37W0900100352 | 16        | 20                     | 35,000                    | 150               | 0.8                             | -10 ~ +80        | 90       |
| Z37W0900100360 | 20        | 40                     | 40,000                    | 30                | 3.5                             | -10 ~ +80        | 215      |
| Z37W0900100361 | 20        | 40                     | 40,000                    | 200               | 2.0                             | -10 ~ +80        | 215      |
| Z37W0900100362 | 20        | 40                     | 40,000                    | 700               | 1.0                             | -10 ~ +80        | 215      |
| Z37W0900100370 | 50        | 60                     | 60,000                    | 60                | 3.5                             | -10 ~ +80        | 300      |
| Z37W0900100371 | 50        | 60                     | 60,000                    | 400               | 2.0                             | -10 ~ +80        | 300      |
| Z37W0900100372 | 50        | 60                     | 60,000                    | 1,200             | 1.0                             | -10 ~ +80        | 300      |

### WYMIARY

| Indeks         | Korpus   | Skok (mm) | A     | B   | C  | D | E    | F   | G | H  | I |
|----------------|----------|-----------|-------|-----|----|---|------|-----|---|----|---|
| Z37W0900100340 | M 14x1.5 | 12        | 98.7  | 88  | 12 | 4 | 10.7 | 67  | 9 | 19 | 6 |
| Z37W0900100341 | M 14x1.5 | 12        | 98.7  | 88  | 12 | 4 | 10.7 | 67  | 9 | 19 | 6 |
| Z37W0900100342 | M 14x1.5 | 12        | 98.7  | 88  | 12 | 4 | 10.7 | 67  | 9 | 19 | 6 |
| Z37W0900100350 | M 14x1.5 | 16        | 121.7 | 111 | 12 | 4 | 10.7 | 86  | 9 | 19 | 6 |
| Z37W0900100351 | M 14x1.5 | 16        | 121.7 | 111 | 12 | 4 | 10.7 | 86  | 9 | 19 | 6 |
| Z37W0900100352 | M 14x1.5 | 16        | 121.7 | 111 | 12 | 4 | 10.7 | 86  | 9 | 19 | 6 |
| Z37W0900100360 | M 20x1.5 | 20        | 146.8 | 130 | 18 | 6 | 16.8 | 101 | 9 | 26 | 8 |
| Z37W0900100361 | M 20x1.5 | 20        | 146.8 | 130 | 18 | 6 | 16.8 | 101 | 9 | 26 | 8 |
| Z37W0900100362 | M 20x1.5 | 20        | 146.8 | 130 | 18 | 6 | 16.8 | 101 | 9 | 26 | 8 |
| Z37W0900100370 | M 20x1.5 | 50        | 233.8 | -   | 18 | 6 | 16.8 | 158 | 9 | 26 | 8 |
| Z37W0900100371 | M 20x1.5 | 50        | 233.8 | -   | 18 | 6 | 16.8 | 158 | 9 | 26 | 8 |
| Z37W0900100372 | M 20x1.5 | 50        | 233.8 | -   | 18 | 6 | 16.8 | 158 | 9 | 26 | 8 |



## ZAWORY KULOWE MINI

Wymiary zaworów kulowych mini umożliwiają ich zastosowanie w aplikacjach o ograniczonej przestrzeni. Zastosowane uszczelnienia z PTFE, zapewnia bezobsługowe użytkowanie oraz długą żywotność. Dostępne w następujących konfiguracjach:  
 gwinty wewnętrzny - gwint wewnętrzny  
 gwinty wewnętrzny - gwint zewnętrzny

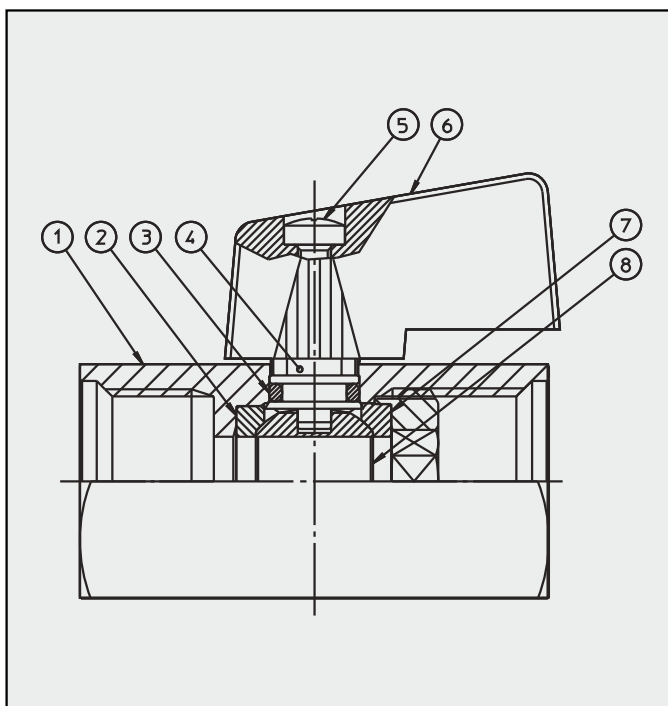


### DANE TECHNICZNE

|                         |       |                                   |
|-------------------------|-------|-----------------------------------|
| Ciśnienie robocze       | [bar] | od 0 do 10 (dla temperatury 80°C) |
| Zakres temperatur pracy | [°C]  | -10 ÷ +80                         |
| Kierunek przepływu      |       | obustronny                        |

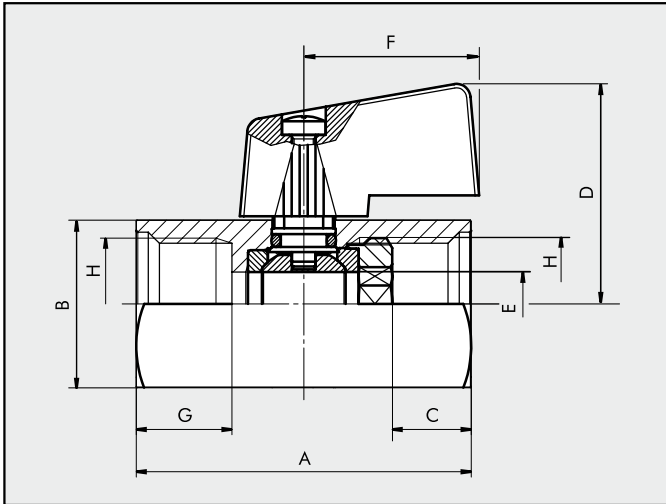
### BUDOWA

- ① KORPUS: mosiądz chromowany CW 614N
- ② USZCZELNIENIE KULI: PTFE
- ③ USZCZELNIENIE TRZPIENIA: NBR
- ④ TRZPIEŃ: mosiądz CW 614N UNI-EN 12624
- ⑤ ŚRUBA: stal cynkowana
- ⑥ RĄCZKA: Nylon 66
- ⑦ USZCZELNIENIE KULI: PTFE
- ⑧ KULA: mosiądz niklowany CW 614N



ZAWORY KULOWE  
GWINT WEWNĘTRZNY - GWINT WEWNĘTRZNY

Indeks            A        B        C        D        E        F        G        H

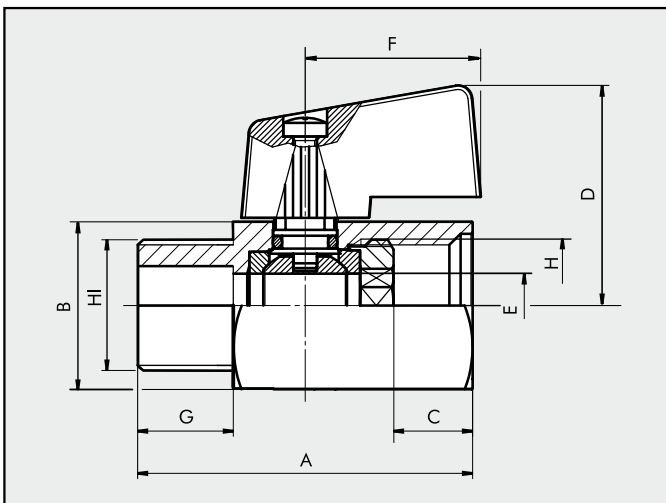


|                |    |    |    |    |    |    |    |      |
|----------------|----|----|----|----|----|----|----|------|
| Z37W0970550001 | 39 | 21 | 9  | 27 | 6  | 22 | 9  | G1/8 |
| Z37W0970550002 | 39 | 21 | 10 | 27 | 8  | 22 | 9  | G1/4 |
| Z37W0970550003 | 42 | 21 | 10 | 27 | 8  | 22 | 12 | G3/8 |
| Z37W0970550004 | 47 | 24 | 12 | 29 | 10 | 22 | 12 | G1/2 |

| Indeks         | Opis                    |
|----------------|-------------------------|
| Z37W0970550001 | Zawór kulowy GW/GW 1/8" |
| Z37W0970550002 | Zawór kulowy GW/GW 1/4" |
| Z37W0970550003 | Zawór kulowy GW/GW 3/8" |
| Z37W0970550004 | Zawór kulowy GW/GW 1/2" |

ZAWORY KULOWE  
GWINT WEWNĘTRZNY - GWINT WEWNĘTRZNY

Indeks            A        B        C        D        E        F        G        H



|                |    |    |      |    |    |    |    |      |
|----------------|----|----|------|----|----|----|----|------|
| Z37W0970550011 | 39 | 21 | 9    | 27 | 6  | 22 | 9  | G1/8 |
| Z37W0970550012 | 39 | 21 | 9    | 27 | 8  | 22 | 9  | G1/4 |
| Z37W0970550013 | 40 | 21 | 9    | 27 | 8  | 22 | 12 | G3/8 |
| Z37W0970550014 | 45 | 24 | 11,5 | 29 | 10 | 22 | 12 | G1/2 |

| Indeks         | Opis                    |
|----------------|-------------------------|
| Z37W0970550011 | Zawór kulowy GZ/GW 1/8" |
| Z37W0970550012 | Zawór kulowy GZ/GW 1/4" |
| Z37W0970550013 | Zawór kulowy GZ/GW 3/8" |
| Z37W0970550014 | Zawór kulowy GZ/GW 1/2" |